

HCDSP3-1500 T1+2 DC Surge Protector Specifications

Product Features

Level 1, Level 2, Type 1, Type 2

Place of use: Inverter, bus box

Protected mode: (DC+)-PE, (DC-)- PE, (DC+)-(DC-)

Surge rating: $I_{total}=12.5 \text{ kA} (10/350 \mu\text{s})$

$I_{total}=40 \text{ kA} (8/20 \mu\text{s})$

IEC/EN/UL Category: Level 1+2/ Type 1+2

Protecting component: High-energy MOV

Shell: Plug-and-dial design

Accord with a standard: GB/T 18802-31

IEC 61643-31

EN 61643-31



Approvals:

- ◇TUV
- ◇CE
- ◇RoHS

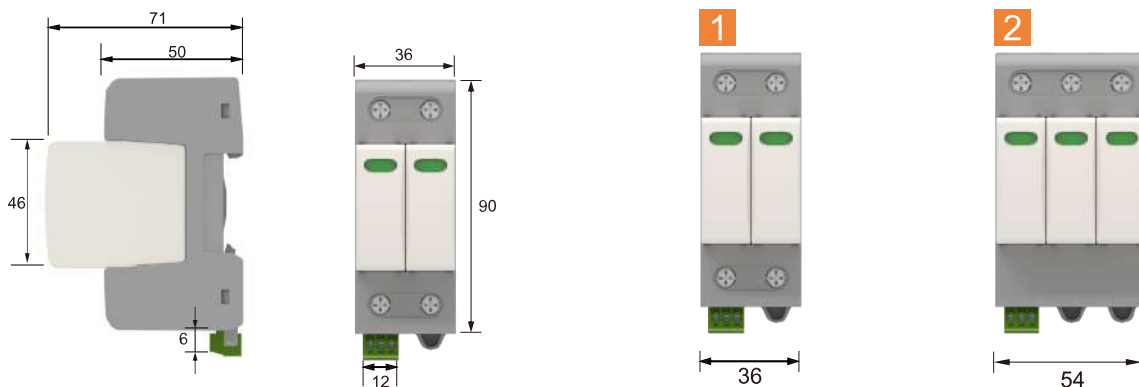
Product Model

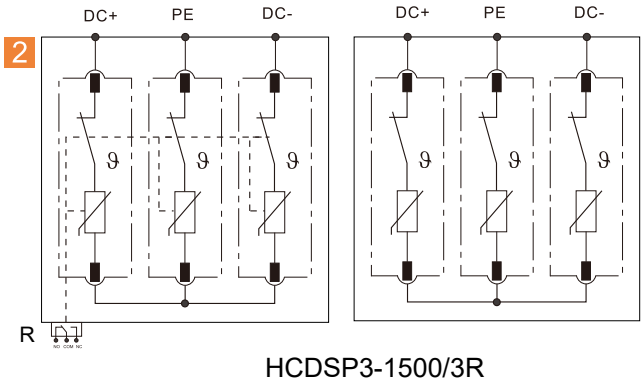
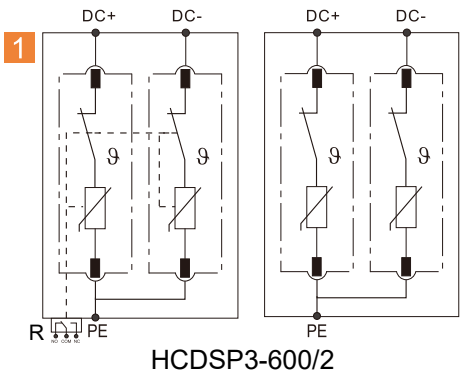
	HC	D	SP	3	-1000	/	3	R
Hecheng Code								
Voltage type		D:DC						
Surge Protection		SP						
Series Code		3(Level 1+Level 2)						
Voltage		600:600Vdc;1000:1000Vdc; 1200:1200Vdc;1500:1500Vdc						
Pole		2:2 poles (U Type);3:3 poles (Y Type)						
R		Blank: No-tape communication R: Tape communication						

Technical Data

HC-PV serie		600	1000	1200	1500
IEC.GB/T standard					
Maximum continuous operating DC voltage(DC+)-PE, (DC-)-PE (DC)-(DC-)		600V	1000V	1200V	1500V
Nominal discharge current (8/20μs)		20kA			
Lightning discharge current(10/350μs)		6.25kA			
Total discharge current(10/350μs)		12.5KA			
Total discharge current(8/20 μS)		40KA			
Maximum discharge current (8/20μS)		40kA			
Voltage protection level (DC+) - PE, (DC-)-PE (DC)- (DC-)		≤2200V	≤4000V	≤4200V	≤5200V
Response time		< 25ns			
Short-circuit current rating		2000A			
Number of poles		2,3			
Mechanical and environmental characteristics					
Operating temperature range		—40°F+158°F (-40°C+70 °C)			
Allowable working humidity		5%...95%			
Atmospheric pressure and altitude		80kPa...106kPa/-500m...2000 m			
End screw torque		39.9 lbf-in [4.5 Nm]			
Maximum intersectional product(max)		2AWG(strand wire)/ 4AWG(flexible wire) 35mm ² (strand wire) 25mm ² (flexible wire)			
Install		35 mm DINguide rail, According to EN 60715			
Protection class		IP20(internally installed)			
Sheating material		Thermoplastics: fire extinguishing class UL94 V0			
Thermal protection		Yes			
Working status/failure indication		Green/Red			
Communication contact(RC)		Optional			
AC/DC switching capability		AC:250V/0.5A;DC:250V/0.1A;125V/0.2A; 75V/0.5A			
Maximum terminal wire cross-sectional area(max)		16AWG(rigid line)/ 1.5 mm ² (rigid line)			

Dimensions (mm)





PE: Protective Earth
 R: Signaling contacts(Option)

Contact Configuration

