

## HCDSP2-1000 T2 DC Surge Protector Specifications

### Product Features

Level 2, Type 2

Place of use: Inverter, bus box

Protected mode: (DC+)-PE, (DC-)- PE, (DC+)-(DC-)

Surge rating:  $I_{total}=20 \text{ kA}$  (8/20  $\mu\text{S}$ )

$I_{total}=40 \text{ kA}$  (8/20  $\mu\text{s}$ )

IEC/EN/UL Category: Level 2/ Type 2

Protecting component: High-energy MOV

Shell: Plug-and-dial design

Accord with a standard: GB/T 18802-31

IEC 61643-31

EN 61643-31



### Approvals:

- ◇ TUV
- ◇ CE
- ◇ RoHS

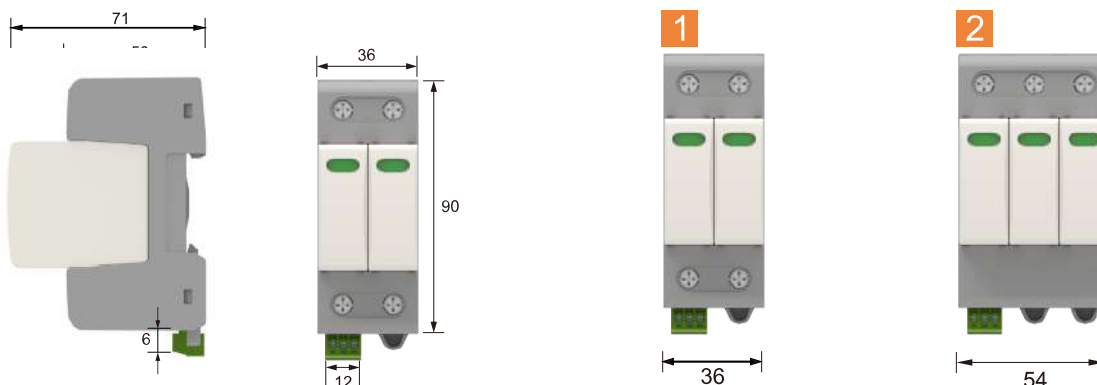
### Product Model

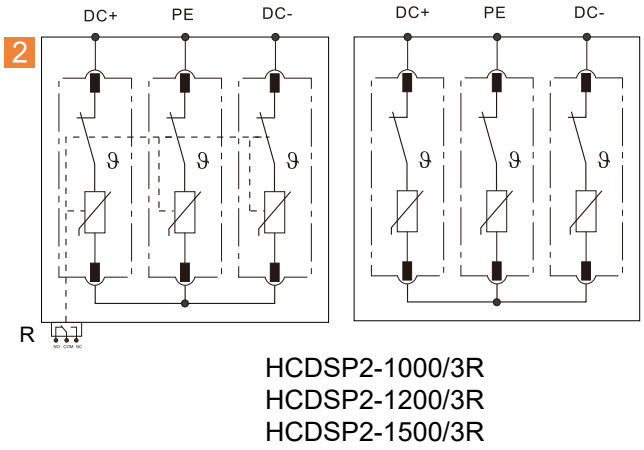
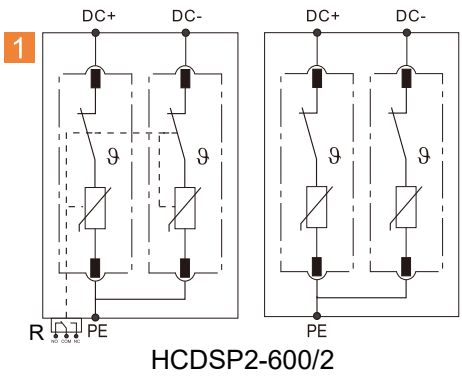
	HC	D	SP	2	-1000	/	3	R
Hecheng Code								
Voltage ype	D:DC							
Surge Protection	SP							
Series Code	2( Level 2)							
Voltage	600:600Vdc;1000:1000Vdc; 1200:1200Vdc;1500:1500Vdc							
Pole	2:2 poles (U Type);3:3 poles (Y Type)							
R	Blank: No-tape communication R: Tape communication							

## Technical Data

HC-PV serie	600	1000	1200	1500
<b>IEC.GB/T standard</b>				
Maximum continuous operating DC voltage(DC+)-PE, (DC-)-PE (DC)-(DC-)	600V	1000V	1200V	1500V
Nominal discharge current (8/20μs)	20kA			
Total discharge current(8/20 μS)	40KA			
Maximum discharge current (8/20μS)	40kA			
Voltage protection level (DC+)-PE, (DC-)-PE (DC)-(DC-)	≤2200V	≤4000V	≤4200V	≤5200V
Response time	<25ns			
Short-circuit current rating	2000A			
Number of poles	2,3			
<b>Mechanical and environmental characteristics</b>				
Operating temperature range	-40°F+158°F (-40℃ to +70 ℃)			
Allowable working humidity	5%...95%			
Atmospheric pressure and altitude	80kPa...106kPa/-500m...2000 m			
End screw torque	39.9 lbf-in [4.5 Nm]			
Maximum intersectional product(max)	2AWG(strand wire)/ 4AWG(flexible wire) 35mm <sup>2</sup> (strand wire) 25mm <sup>2</sup> (flexible wire)			
Install	35 mm DINguide rail, According to EN 60715			
Protection class	IP20(internally installed)			
Sheating material	Thermoplastics: fire extinguishing class UL94 V0			
Thermal protection	Yes			
Working status/failure indication	Green/Red			
Communication contact(RC)	Optional			
Ac/DC switching capability	AC:250V/0.5A;DC:250V/0.1A;125V/0.2A; 75V/0.5A			
Maximum terminal wire cross-sectional area(max)	16AWG(rigid line)/ 1.5 mm <sup>2</sup> (rigid line)			

## Dimensions ( mm )





PE: Protective Earth  
R: Signaling contacts(Option)

### Contact Configuration

