

HCS800FF170E3C1

1700V/800A Half Bridge SiC MOSFET Module

Description

The HCS800FF170E3C1 is a Half Bridge SiC MOSFET Power Module. It integrates high performance SiC MOSFET chips designed for the applications such as Motor drives and Renewable energy.



Features

- Blocking voltage 1700V
- $R_{DS(on)} = 2.8m\Omega @ T_j = 25^\circ C$
- Low thermal resistance with Si₃N₄ AMB
- Low Inductive Design
- Thermistor inside

Applications

- xEV Applications
- Motor Drives
- Servo Drives
- SmartGrid/Grid-Tied Distributed Generation

Circuit diagram

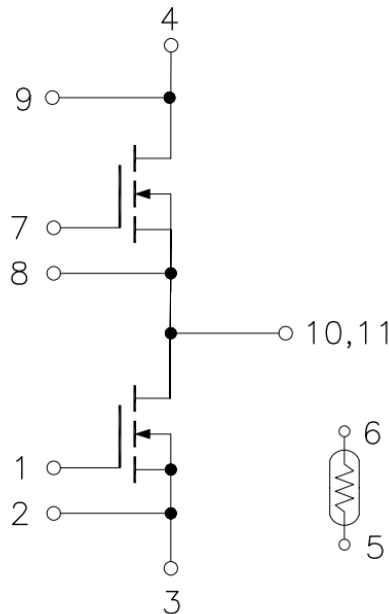


Figure 1. Out drawing & circuit diagram for HCS800FF170E3C1

HCS800FF170E3C1

1700V/800A Half Bridge SiC MOSFET Module

Pin Configuration and Marking Information

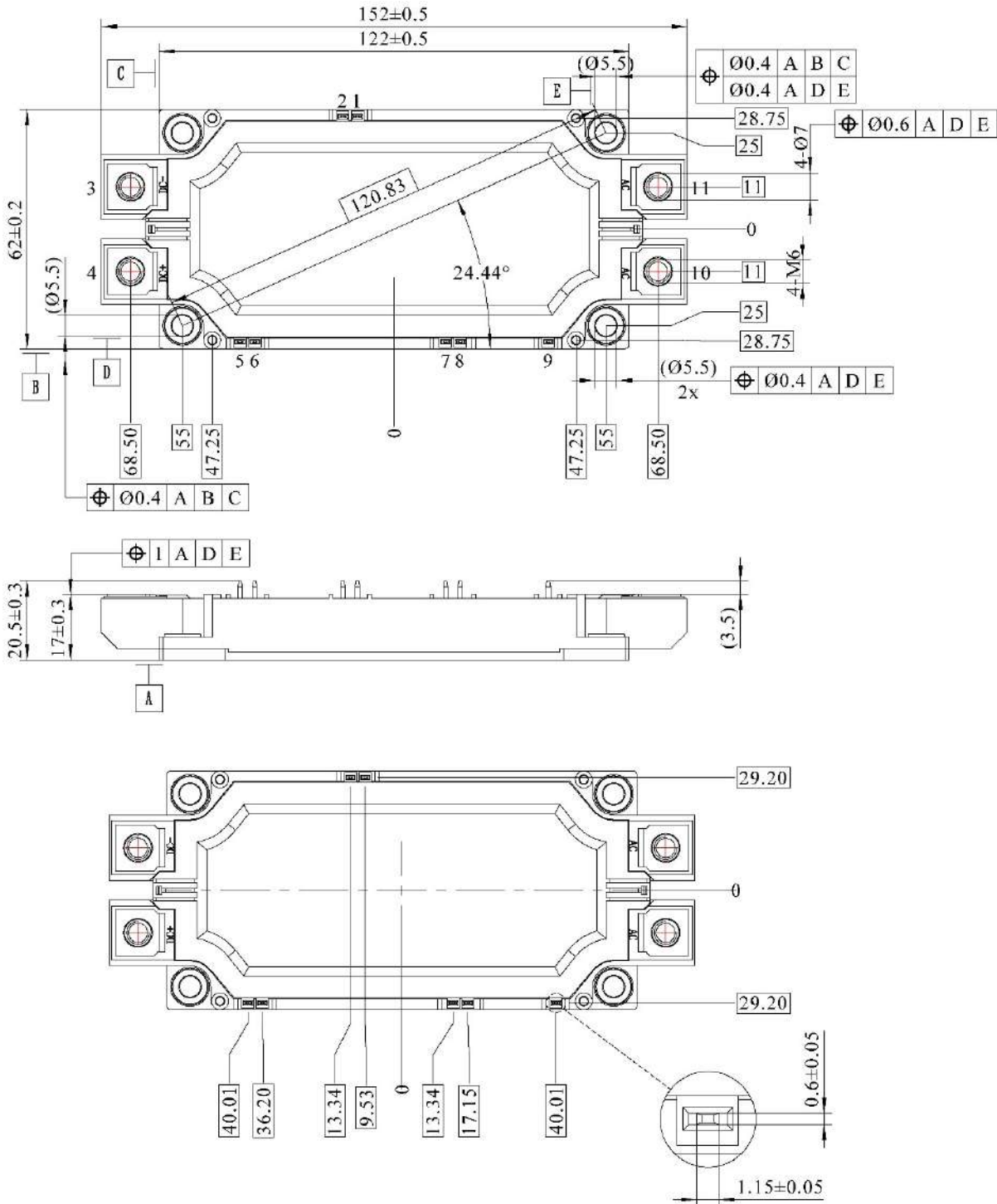


Figure 2. Pin configuration

HCS800FF170E3C1

1700V/800A Half Bridge SiC MOSFET Module

Module

Parameter	Condition	Value	Unit
Isolation Voltage	RMS, f=50Hz, t=1min	4.0	kV
Material of module baseplate	-	Cu	-
Creepage distance	terminal to heatsink terminal to terminal	14.5 10	mm
Clearance	terminal to heatsink terminal to terminal	12.5 10	mm
CTI	-	600	-
Module lead resistance, terminals–chip	T _C =25°C	0.5	mΩ
Mounting torque for module mounting	M5, M6	3 to 6	Nm
Weight	-	385	g

Maximum Ratings (T_j =25°C unless otherwise specified)

Symbol	Parameter	Condition	Ratings	Unit
V _{DSS}	Drain-Source Voltage	G-S Short	1700	V
V _{GSS}	Gate-Source Voltage (+)	D-S Short	20	V
V _{GSS}	Gate-Source Voltage (-)	D-S Short	-10	V
V _{GSSSurge}	G-S Voltage(t _{surge} <300nsec)	D-S Short, Note1	-10 to 20	V
I _{DS}	DC Continuous Drain Current	T _C =25°C, V _{GS} =15V	800	A
I _{DS}	DC Continuous Drain Current	T _C =60°C, V _{GS} =15V	690	A
I _{SD}	Source (Body diode) Current	T _C =25°C, with ON signal	800	A
I _{SD}	Source (Body diode) Current	T _C =60°C, with ON signal	690	A
I _{DSM}	Pulse Forward Current	T _C =25°C, Pulse width =1ms, Note2	1600	A
P _{tot}	Total Power Dissipation	T _C =25°C	3947	W
T _{jmax}	Max Junction Temperature	-	-55 to 175	°C
T _{stg}	Storage Temperature	-	-55 to 125	°C

Note1: Recommended Operating Value, +15V/-5V, +15V/-4V

Note2: Pulse width limited by maximum junction temperature

NTC characteristics

Symbol	Parameter	Condition	Value			Unit
			Min.	Typ.	Max.	
R ₂₅	Resistance	T _C =25°C	-	5	-	kΩ
ΔR/R	Deviation of R ₁₀₀	T _C =100°C, R ₁₀₀ =493Ω	-5	-	5	%
P ₂₅	Power dissipation	T _C =25°C	-	-	20	mW
B _{25/50}	B-value	R ₂ =R ₂₅ exp [B _{25/50} (1/T ₂ - 1/(298,15 K))]	-	3375	-	K
B _{25/80}	B-value	R ₂ =R ₂₅ exp [B _{25/80} (1/T ₂ - 1/(298,15 K))]	-	3411	-	K
B _{25/100}	B-value	R ₂ =R ₂₅ exp [B _{25/100} (1/T ₂ - 1/(298,15 K))]	-	3433	-	K

HCS800FF170E3C1

1700V/800A Half Bridge SiC MOSFET Module

MOSFET Electrical characteristics ($T_j=25^\circ\text{C}$ unless otherwise specified, chip)

Symbol	Item	Condition		Value			Unit	
				Min.	Typ.	Max		
$V_{(BR)DSS}$	Drain-Source Breakdown Voltage	$V_{GS}=0V, I_D=800\mu A$		1700	-	-	V	
I_{DSS}	Zero gate voltage drain Current	$V_{DS}=1700V, V_{GS}=0V$		-	-	1	mA	
I_{GSS}	Gate-Source Leakage Current	$V_{GS}=20V, V_{DS}=0V$		-	-	800	nA	
		$V_{GS}=-10V, V_{DS}=0V$		-	-	-800	nA	
$V_{GS(th)}$	Gate-source threshold Voltage	$I_D=480mA$	$T_j=25^\circ\text{C}$	1.80	2.70	-	V	
		$V_{DS}=V_{GS}$	$T_j=175^\circ\text{C}$	-	1.90	-	V	
$R_{DS(on)}$ (Chip)	Static drain-source	$I_D=800A$	$T_j=25^\circ\text{C}$	-	2.80	-	m Ω	
	On-state resistance	$V_{GS}=15V$	$T_j=175^\circ\text{C}$	-	6.30	-	m Ω	
$V_{DS(on)}$ (Chip)	Static drain-source	$I_D=800A$	$T_j=25^\circ\text{C}$	-	2.24	-	V	
	On-state Voltage	$V_{GS}=15V$	$T_j=175^\circ\text{C}$	-	5.04	-	V	
C_{iss}	Input Capacitance	$V_D=1000V, V_{GS}=0V$ $f=1\text{MHz}, V_{ac}=25\text{mV}$		-	61.0	-	nF	
C_{oss}	Output Capacitance			-	1.64	-	nF	
C_{rss}	Reverse transfer Capacitance			-	0.29	-	nF	
Q_g	Total gate charge	$V_{DD}=1000V$		-	2048	-	nC	
Q_{gd}	Gate-Drain Charge	$I_D=600A$		-	720	-	nC	
Q_{gs}	Gate-Source Charge	$V_{GS}=+15/-5V$		-	616	-	nC	
R_{Gint}	Internal Gate Resistance	$T_j=25^\circ\text{C}$		-	0.6	-	Ω	
$t_{d(on)}$	Turn-on delay time	$V_{DD}=900V$ $I_D=800A$ $V_{GS}=+15/-5V$ $R_{G(on)}=3.3\Omega$ $R_{G(off)}=3.3\Omega$ Inductive load switching operation		$T_j=25^\circ\text{C}$	-	173	-	ns
				$T_j=150^\circ\text{C}$	-	158	-	
t_r	Rise time			$T_j=25^\circ\text{C}$	-	125	-	ns
				$T_j=150^\circ\text{C}$	-	107	-	
$t_{d(off)}$	Turn-off delay time			$T_j=25^\circ\text{C}$	-	612	-	ns
				$T_j=150^\circ\text{C}$	-	653	-	
t_f	Fall time			$T_j=25^\circ\text{C}$	-	112	-	ns
				$T_j=150^\circ\text{C}$	-	129	-	
E_{on}	Turn-on power dissipation	$T_j=25^\circ\text{C}$	-	67.8	-	mJ		
		$T_j=150^\circ\text{C}$	-	58.5	-			
E_{off}	Turn-off power dissipation	$T_j=25^\circ\text{C}$	-	72.3	-	mJ		
		$T_j=150^\circ\text{C}$	-	80.6	-			
$R_{th(j-c)}$	FET Thermal Resistance	Junction to Case		-	0.038	-	K/W	
$R_{th(c-f)}$	Contact thermal Resistance	With thermal conductive grease, Note1		-	0.015	-	K/W	

Note1: Assumes Thermal Conductivity of grease is $0.9\text{W/m}\cdot\text{K}$ and thickness is $50\mu\text{m}$.

HCS800FF170E3C1

1700V/800A Half Bridge SiC MOSFET Module

Body Diode Electrical characteristics ($T_j=25^\circ\text{C}$ unless otherwise specified, chip)

Symbol	Item	Condition	Value			Unit	
			Min.	Typ.	Max.		
V_{SD}	Body Diode Forward Voltage	$V_{GS} = -5\text{V}$ $I_{SD} = 800\text{A}$	$T_j = 25^\circ\text{C}$	-	5.6	-	V
			$T_j = 175^\circ\text{C}$	-	5.3	-	
T_{rr}	Reverse recovery time	$V_{RR} = 900\text{V}$, $I_D = 800\text{A}$ MOSFET side:	$T_j = 25^\circ\text{C}$	-	41	-	ns
			$T_j = 150^\circ\text{C}$	-	129	-	
Q_{rr}	Reverse recovery charge	$V_{GS} = +15/-5\text{V}$ $R_{G(on)} = R_{G(off)} = 3.3\Omega$	$T_j = 25^\circ\text{C}$	-	3.98	-	μC
			$T_j = 150^\circ\text{C}$	-	16.9	-	
E_{rr}	Diode switching power dissipation	Inductive load switching operation	$T_j = 25^\circ\text{C}$	-	1.2	-	mJ
			$T_j = 150^\circ\text{C}$	-	9.7	-	

Test Conditions

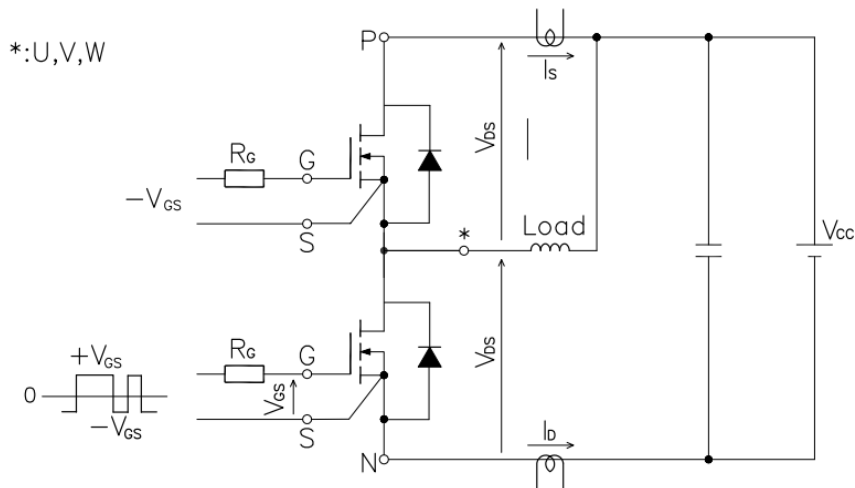


Figure 3. Switching time measure circuit

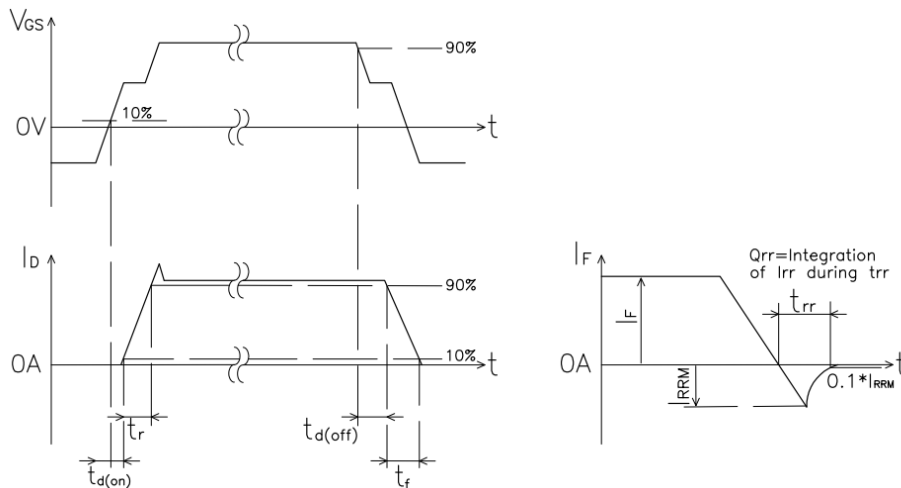


Figure 4. Switching time definition

HCS800FF170E3C1

1700V/800A Half Bridge SiC MOSFET Module

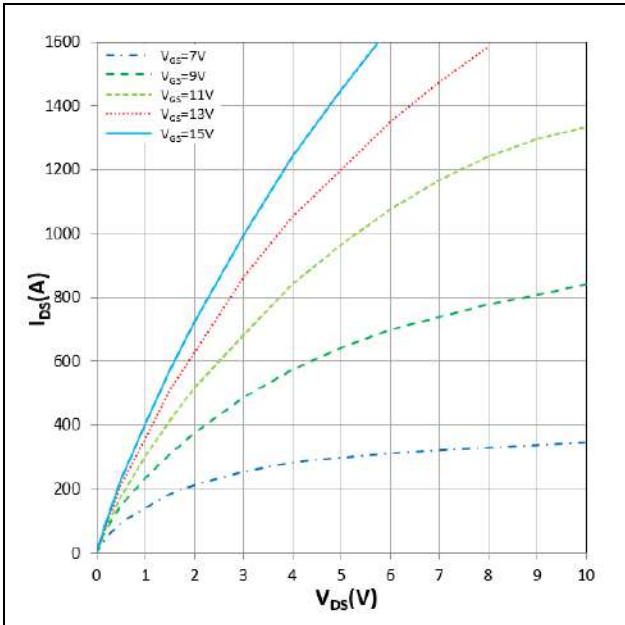


Figure 5. I_{DS} vs V_{DS}
 $T_j = 25^\circ\text{C}$, V_{GS} parameter

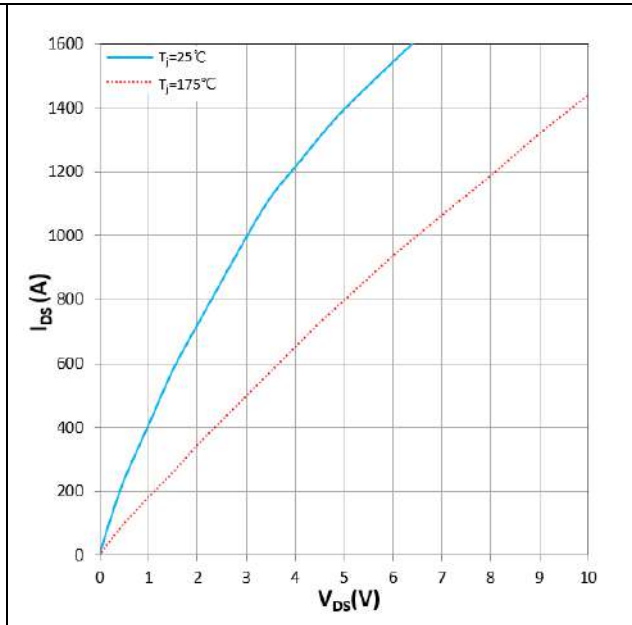


Figure 6. I_{DS} vs V_{DS}
 $V_{GS} = 15\text{V}$, T_j parameter

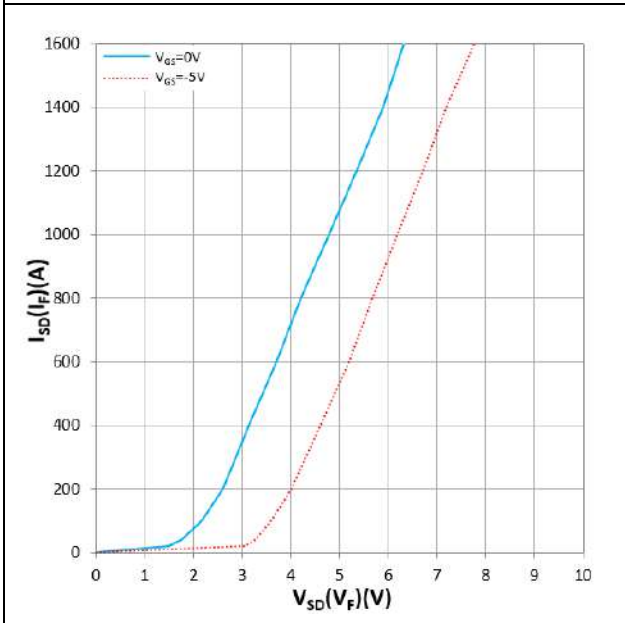


Figure 7. $I_{SD}(I_F)$ vs $V_{SD}(V_F)$
 $T_j = 25^\circ\text{C}$, V_{GS} parameter

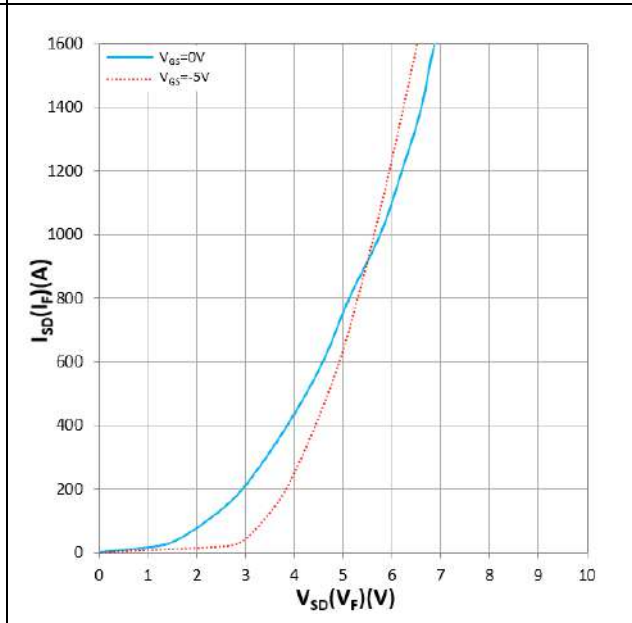


Figure 8. $I_{SD}(I_F)$ vs $V_{SD}(V_F)$
 $T_j = 175^\circ\text{C}$, V_{GS} parameter

HCS800FF170E3C1

1700V/800A Half Bridge SiC MOSFET Module

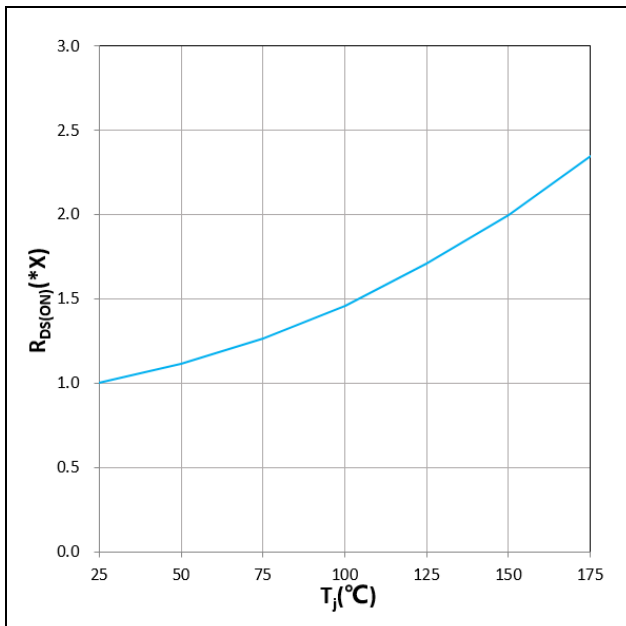


Figure 9. $R_{DS(ON)}$ vs T_j
 $V_{GS} = +15V$, $I_D = 800A$, $1.0X = 2.8m\Omega$

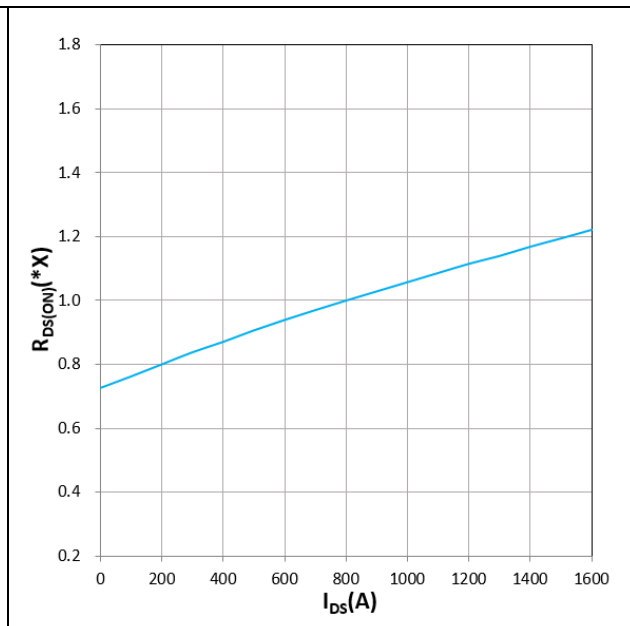


Figure 10. $R_{DS(ON)}$ vs I_{DS}
 $T_j = 25^\circ C$, $V_{GS} = +15V$, $1.0X = 2.8m\Omega$

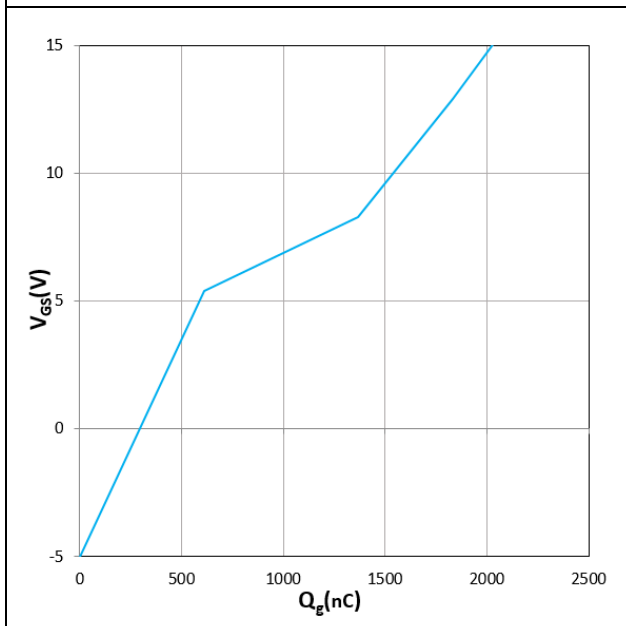


Figure 11. V_{GS} vs Q_g
 $T_j = 25^\circ C$, $V_{DS} = 1000V$, $I_D = 600A$

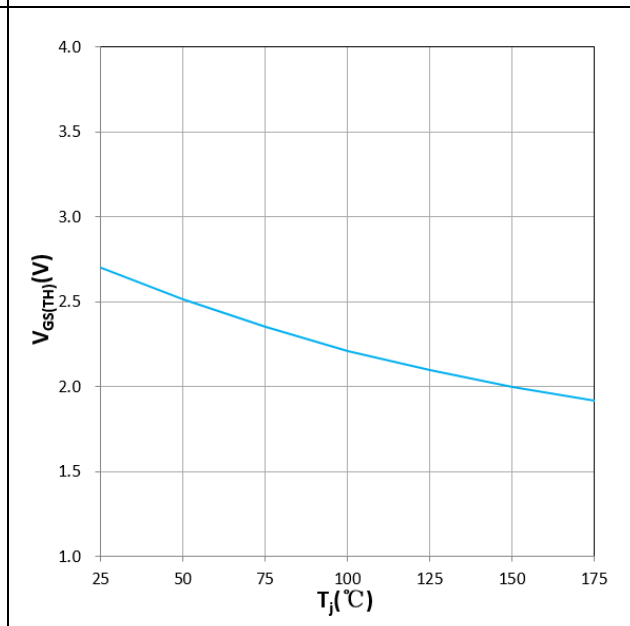


Figure 12. $V_{GS(TH)}$ vs T_j
 $V_{GS} = V_{DS}$, $I_D = 480mA$

HCS800FF170E3C1

1700V/800A Half Bridge SiC MOSFET Module

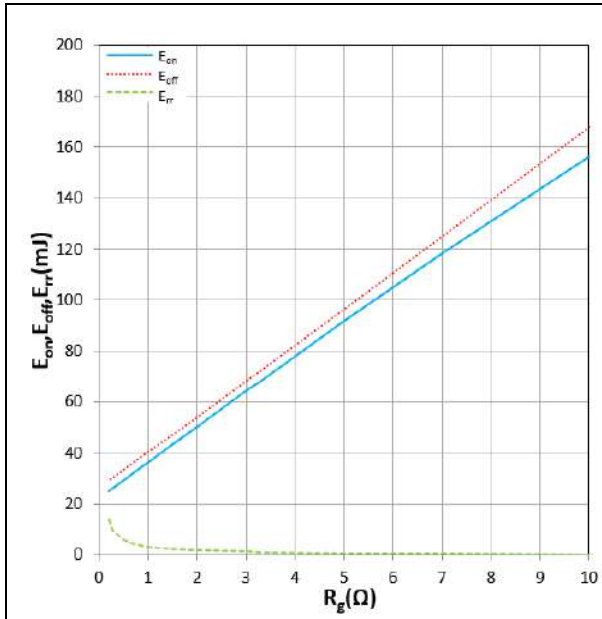


Figure 13. E_{on} , E_{off} , E_{rr} vs R_g
 $T_j=25^\circ\text{C}$, $V_{DD}=900\text{V}$, $V_{GS}=+15\text{V}/-5\text{V}$, $I_D=800\text{A}$
 Inductive Load

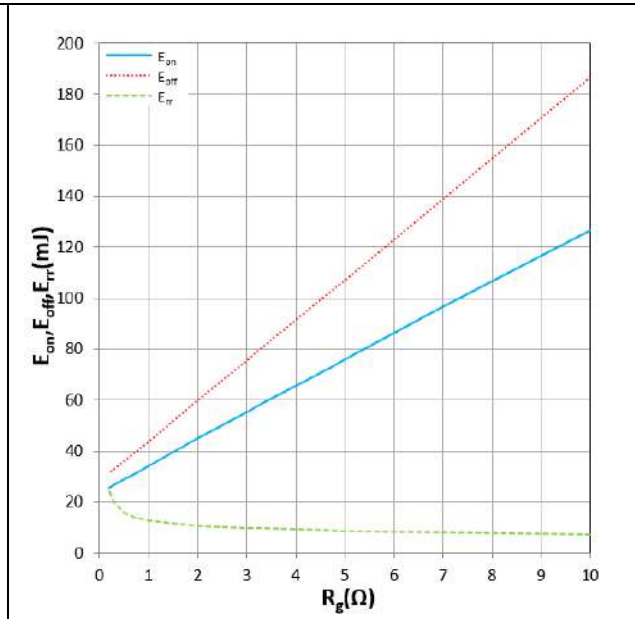


Figure 14. E_{on} , E_{off} , E_{rr} vs R_g
 $T_j=150^\circ\text{C}$, $V_{DD}=900\text{V}$, $V_{GS}=+15\text{V}/-5\text{V}$, $I_D=800\text{A}$
 Inductive Load

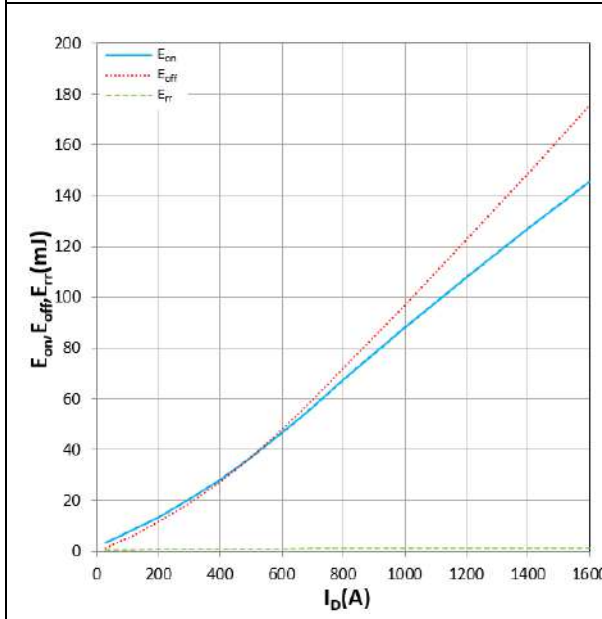


Figure 15. E_{on} , E_{off} , E_{rr} vs I_D
 $T_j=25^\circ\text{C}$, $V_{DD}=900\text{V}$, $V_{GS}=+15\text{V}/-5\text{V}$, $R_g=3.3\Omega$
 Inductive Load

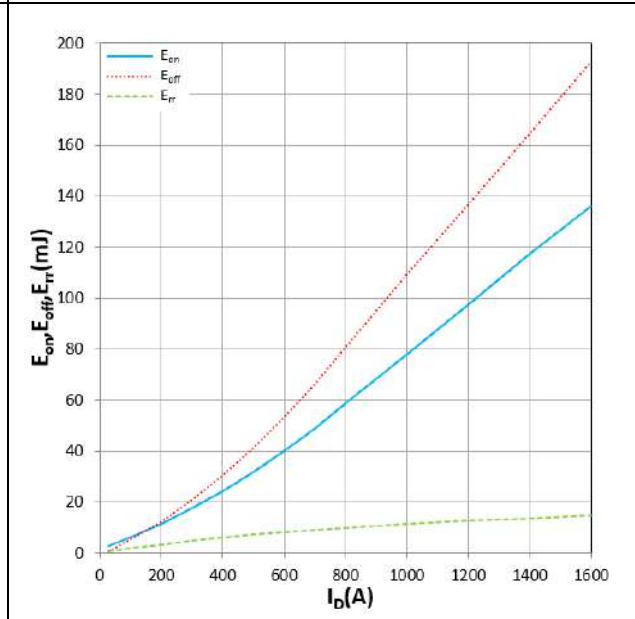


Figure 16. E_{on} , E_{off} , E_{rr} vs I_D
 $T_j=150^\circ\text{C}$, $V_{DD}=900\text{V}$, $V_{GS}=+15\text{V}/-5\text{V}$, $R_g=3.3\Omega$
 Inductive Load

HCS800FF170E3C1

1700V/800A Half Bridge SiC MOSFET Module

IMPORTANT NOTICE

This product data sheet describes the characteristics of this product for which a warranty is granted. Any such warranty is granted exclusively under the terms and conditions of the supply agreement. There will be no guarantee or of any kind for the product and its characteristics.

The data contained in this document is exclusively intended for technically trained staff. You and your technical departments will have to evaluate the product's suitability for the intended application and the completeness of the product data concerning such application.

Due to technical requirements, our product may contain dangerous substances. For information on the types in question, please contact the sales staff responsible for you.

Changes to this product data sheet are reserved.

Please contact the sales staff (sales@hiitio.com) for further information on the product, technology, delivery terms, conditions and prices.

Instruction note

Naming rules for power module product models (Industrial module)

Product Model							
	HC	G	100	FF	120	E3	A
Hecheng Code							
Module type G : IGBT module D : FRD module S : SiC module H : Si/SiC hybrid							
Current level (A) 50~900							
Topology structure FZ : A switch unit FF : Half bridge FS : Three phase F4 : H Bridge F3L : Three level DF : Boost Circuit FD : Braking Circuit FP : Rectification+Inverter+Control move AL : ANPC CL : Chopper							
Voltage level (x10) (V) 650~2200							
Packaging form+features (A...Z)							
	A1: 34 mm	A2: 62 mm					
	B1: Easy 1B	B1A	B3: Easy 3B...	B1B...			
	B2: Easy 2B...						
	D1: Flow0	D2: Flow1		D3: Flow2			
	E0 : E0	E1: Econo 2...		E2: E2			
	E3: ED3	E4 : E4		E5 : ED3S			
	E6 : EPM2	E7 : EPM3		E8 : EconoPIM3			
	E9 : ED3H	F0 : F0		P2 : EPM2			
Feature :A: Special Code Nil: Standard							

Zhejiang HIITIO New Energy Co., Ltd

ADD : NO.1125 Zhixing Road,Qiaonan District, Xiaoshan Economic and Technological Development Zone, Hangzhou, Zhejiang

TEL :400-667-9977

